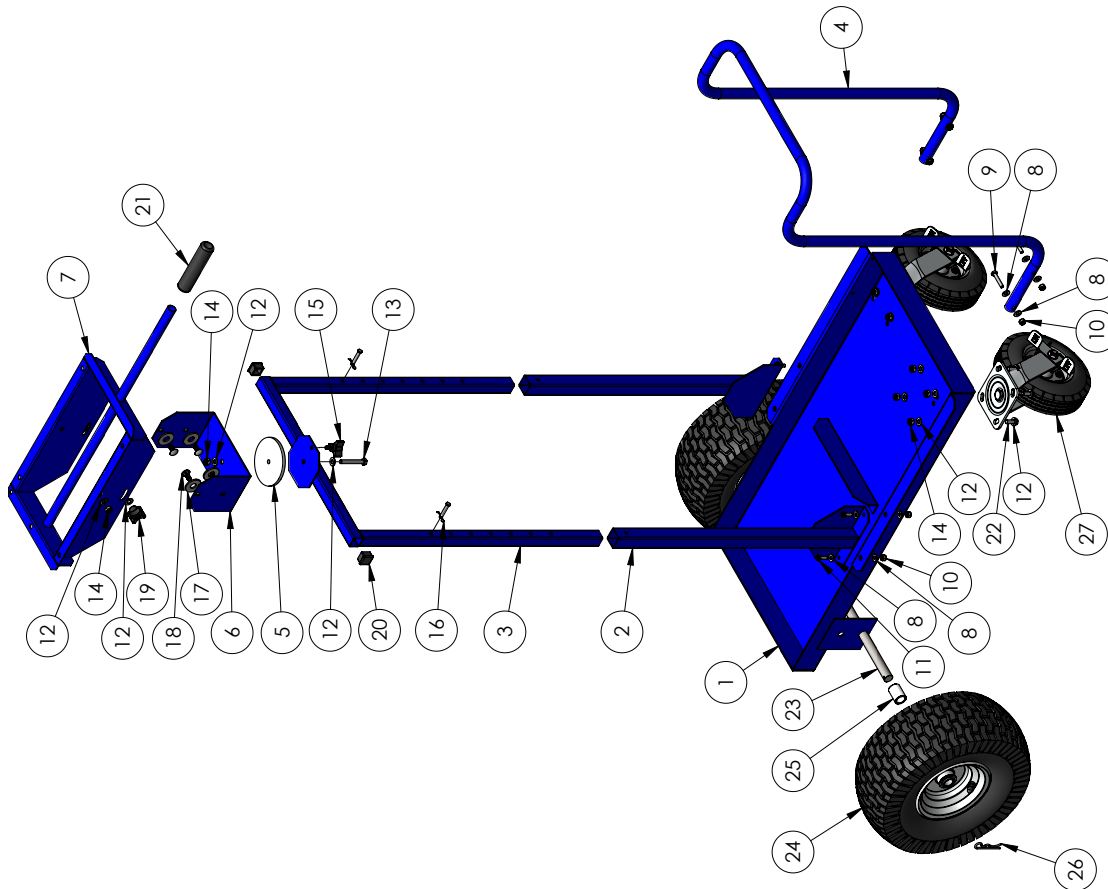


K-30/20 BIO PulsFOG Set Up Guide

Assemble the K-30/20 Cart:

ITEM #	QTY.	DRAMM NO.	TITLE
1	1	DI1459 ASSY	BASE ASSEMBLY
2	2	DI1444	UPRIGHT ASSEMBLY
3	1	DI1447	SUPPORT ASSEMBLY
4	1	DI1451	HANDLE
5	1	DI1496	PIVOT BEARING
6	1	DI1449	PIVOT BRACKET
7	1	DI1448A	CRADLE ASSEMBLY
8	16	110300	1/4" FLAT WASHER
9	4	110006	1/4"-20 x 1.50" HHCS
10	8	110275	1/4"-20 NYLON LOCK NUT
11	4	110002	1/4"-20 x 3/4" HHCS
12	22	110301	5/16 WASHER
13	1	110027	5/16-18 X 2.25" LG HHCS GR. 5
14	11	110276	5/16-18 NYLON LOCK NUT
15	1	5771 SK29	1/4"-20X9/16" KNOB
16	2	97245A637	1/4"DIA. X1.50" LG CLEVIS PIN W/CLIP
17	4	110304	1/2" SAE FLAT WASHER
18	4	H21253	5/16-18X3/4" CARRIAGE BOLT
19	2	5993K64	FOUR ARM KNOB 5/16-18 THREAD
20	2	9565K23	1" SQ. PLASTIC PLUG
21	1	D10674-C	GRIP-EPDM RUBBER BLACK 5 INCH
22	8	110021	5/16-18 X 3/4" LG HHCS GR. 5
23	1	D12013	BIG FOOT AXLE
24	2	500000	1.5 X 6.00 X 6 TURF TIRE
25	2	D12022	BIG FOOT AXLE SPACER
26	2	118100	1/8" HAIR PIN
27	2	500055	PNEUMATIC CASTER



EST. WEIGHT 88.17 LBS.

DRAMM CORPORATION
 200 N. BRUSHY
 800-258-0848
 WWW.DRAMM.COM

UNLESS OTHERWISE SPECIFIED
 DIMENSIONS ARE IN INCHES
 TOLERANCES ARE:
 .X = +/-0.005
 .XX = +/-0.005
 .XXX = +/-0.005
 .XXX = +/-0.001

FILE: **K30/20 CART BIG FOOT**
 PROJECT: **K30/20 CART**
 MATERIAL: **ASSEMBLY**

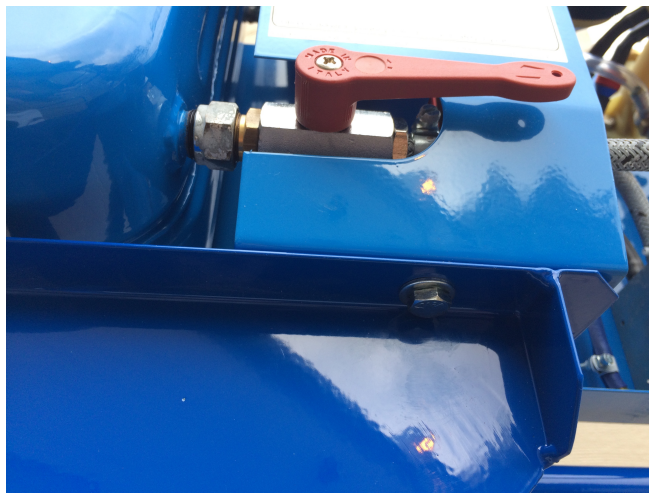
APPROVALS: **LBB** DATE: **9-9-15**
 CHECKED: **LBB** REF: **DOC-NO. B**
 REF: **ENG.** SCALE: 1:1 CAD FILE: **K-30-20C-BF**

SHEET 1 OF 2

Shown with BigFoot Wheels kit (optional). Wheel size may be smaller.

K-30/20 BIO PulsFOG Set Up Guide

Remove Silicone Feet from PulsFOG and insert bolts through frame to attach to the cart.



Connect the solution lines:

Connect the white and black lines as shown.

Connect the top lines to the Water tank.

Connect the bottom lines to the solution tank.

